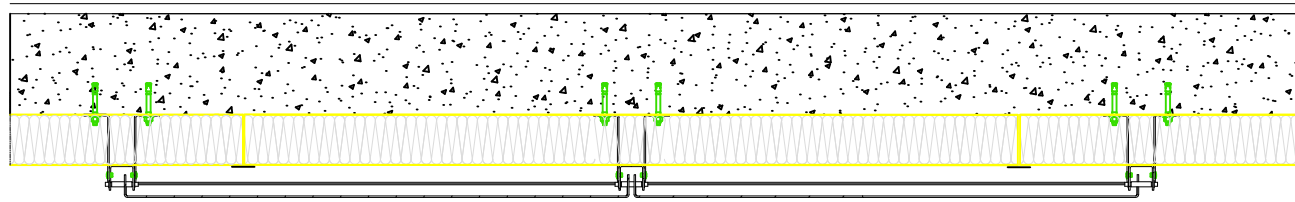
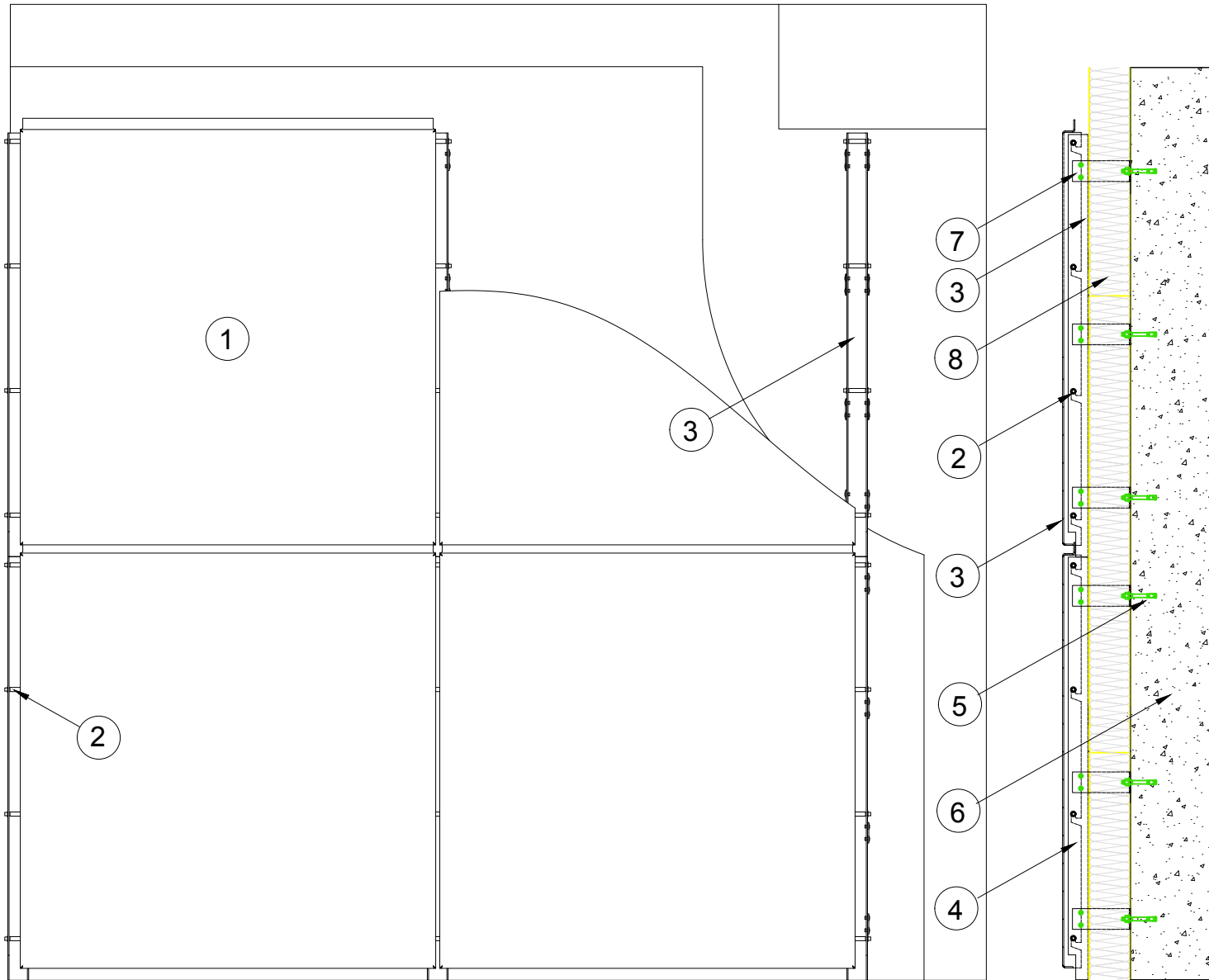


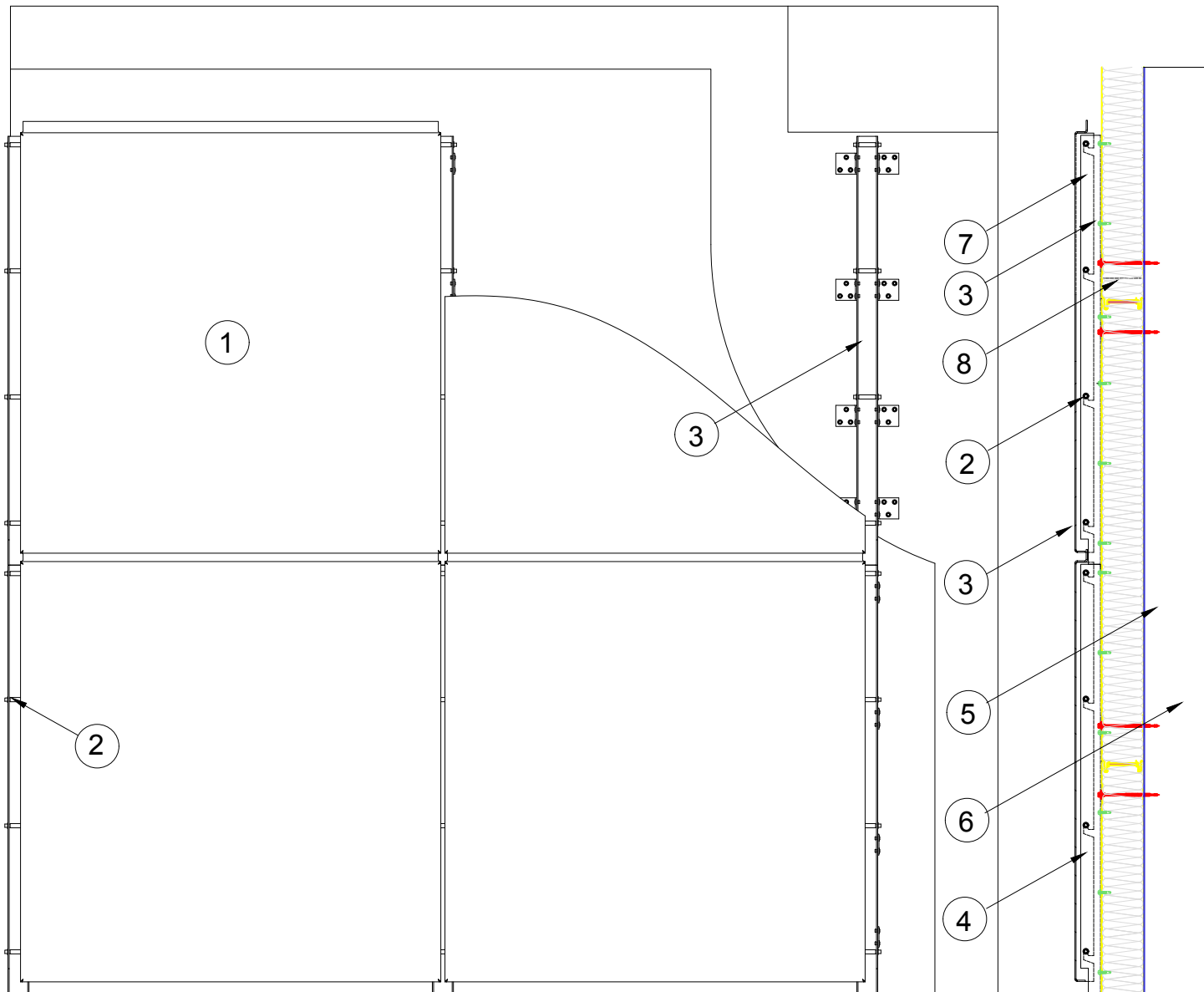
Secret Fix System - PPSF02 - Standard build up - insulation between brackets - System Overview



- | | |
|------------------------------------|---|
| ① NES PPSF02 Panel | ⑤ Wall Fixing |
| ② M6 threaded bar with HIPS Sleeve | ⑥ Structural steels / CP board / Concrete |
| ③ PPSF02 Carrier Rail | ⑦ Remote bracket |
| ④ Hooks to panel returns | ⑧ Insulation |



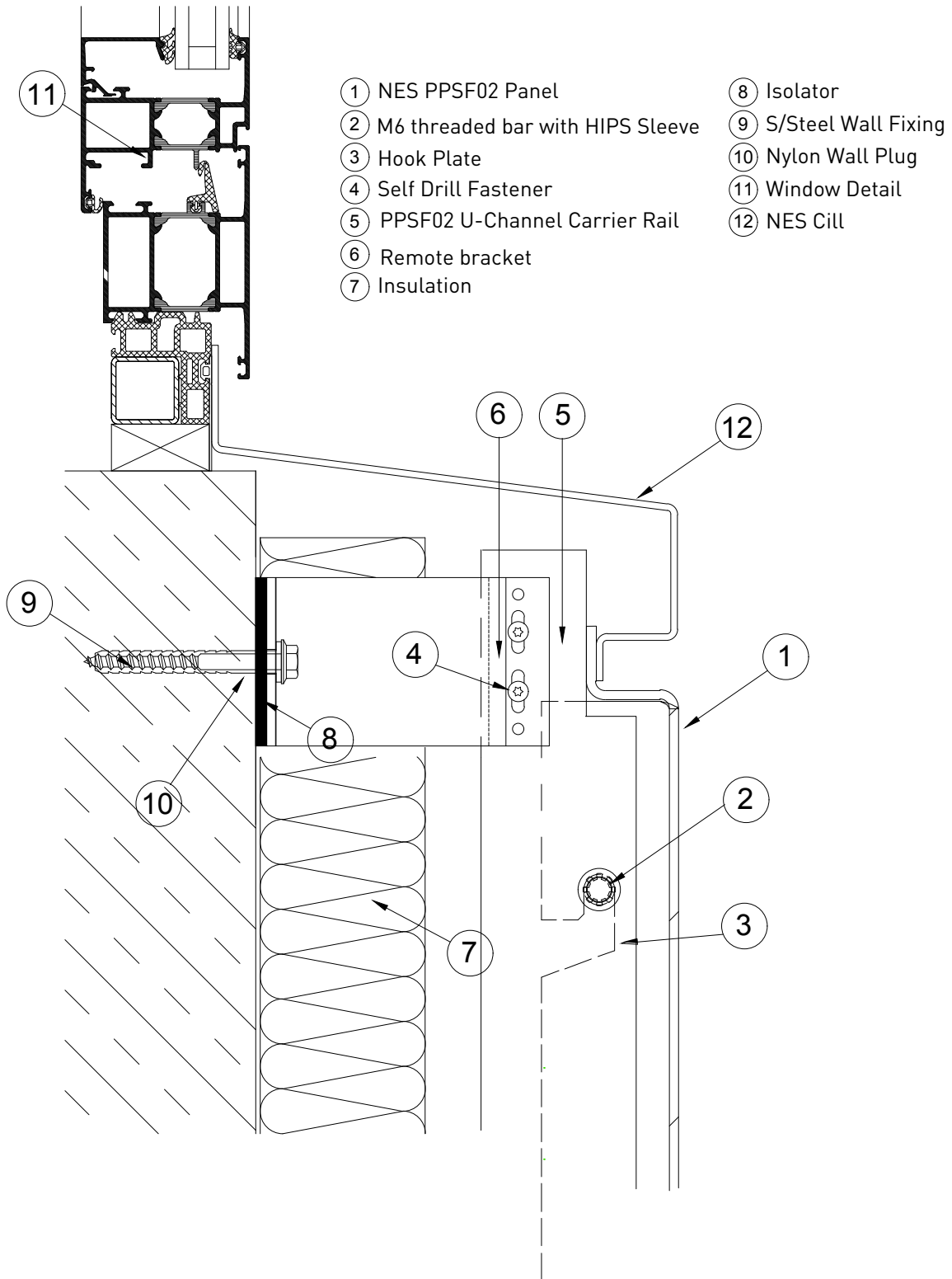
Secret Fix System - PPSF02 - Fixed to insulated sandwich panels - System Overview



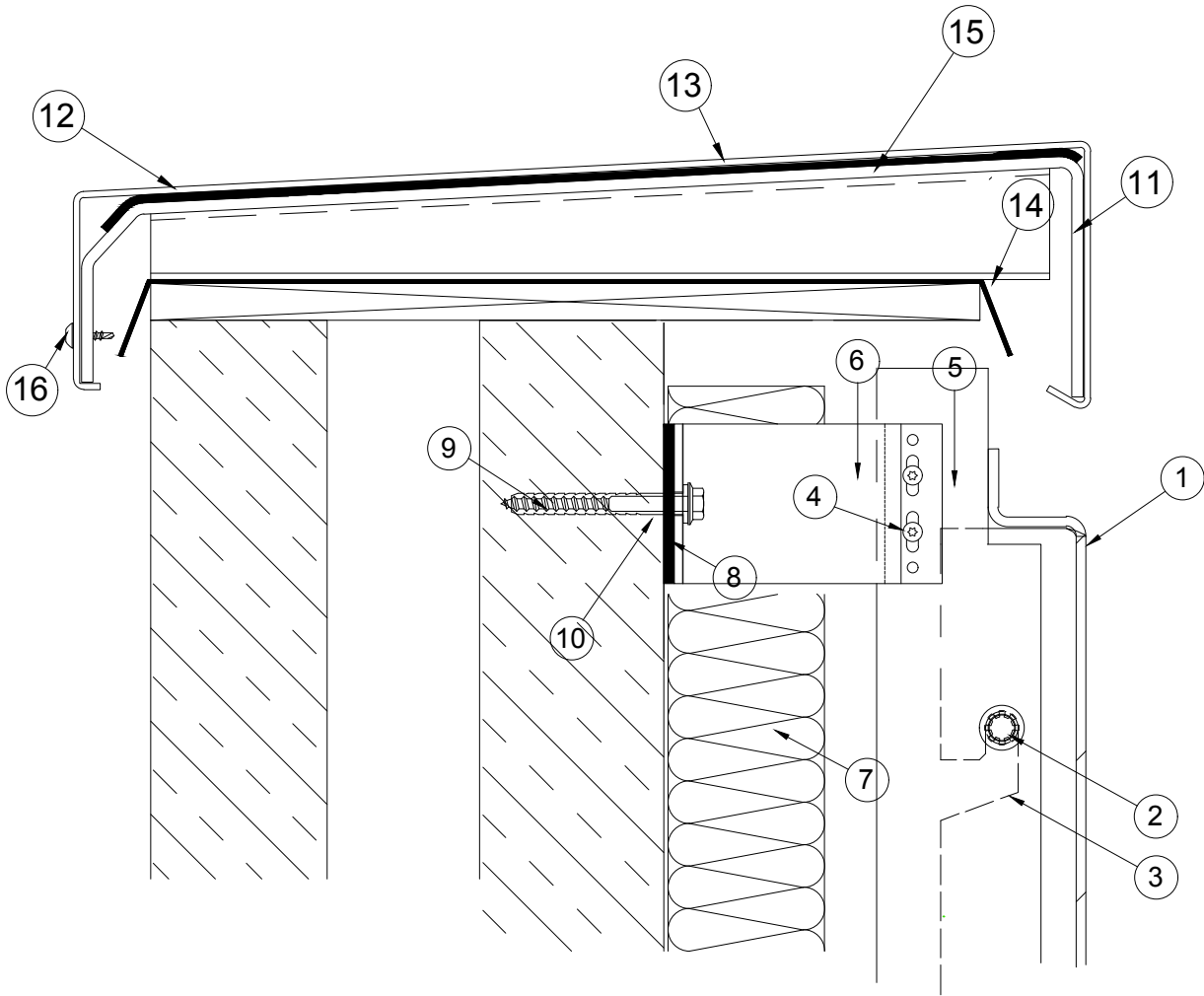
- | | |
|------------------------------------|---|
| ① NES PPSF02 Panel | ⑤ Wall Fixing |
| ② M6 threaded bar with HIPS Sleeve | ⑥ Structural steels / CP board / Concrete |
| ③ PPSF02 Carrier Rail | ⑦ Remote bracket |
| ④ Hooks to panel returns | ⑧ Insulated sandwich panel |



Secret Fix System - PPSF02 - Section views



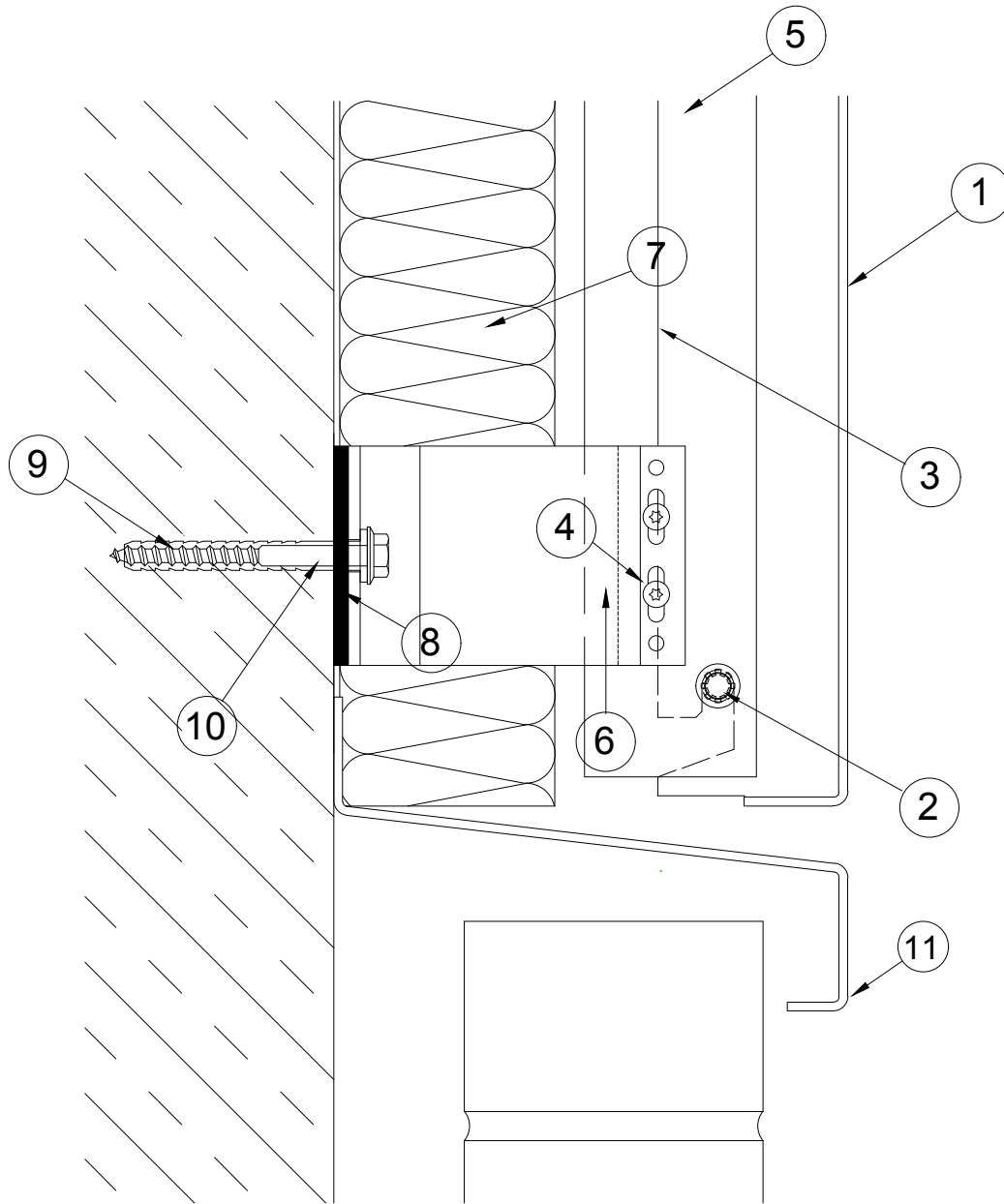
Secret Fix System - PPSF01 - Section views - Coping



- | | | |
|------------------------------------|-----------------------|-----------------------------|
| ① NES PPSF02 Panel | ⑦ Insulation | ⑬ Gasket |
| ② M6 threaded bar with HIPS Sleeve | ⑧ Isolator | ⑭ Recommended Vapor Barrier |
| ③ Hook Plate | ⑨ S/Steel Wall Fixing | ⑮ Top Hat |
| ④ Self Drill Fastener | ⑩ Nylon Wall Plug | ⑯ Security Screw |
| ⑤ PPSF02 Carrier Profile | ⑪ Coping Clip Fixing | |
| ⑥ NES Bracket | ⑫ Coping | |



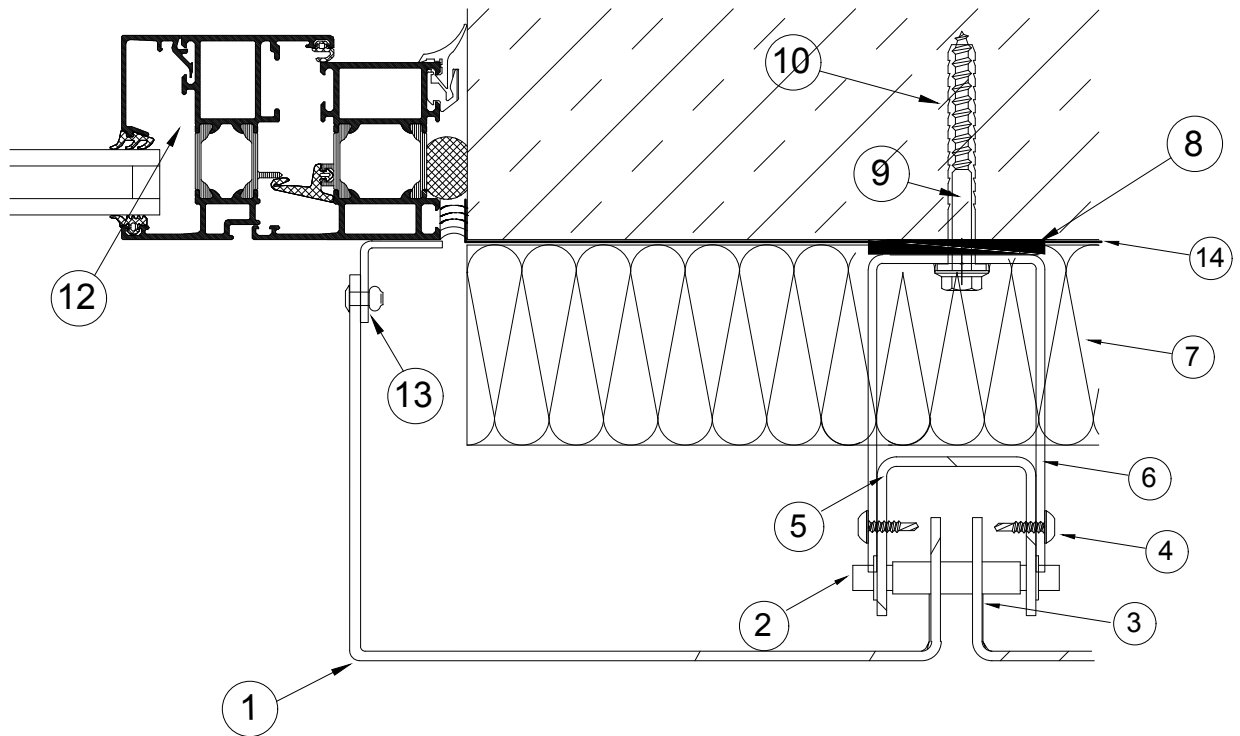
Secret Fix System - PPSF01 - Section views - Sill



- | | |
|------------------------------------|-----------------------|
| ① NES PPSF02 Panel | ⑦ Insulation |
| ② M6 threaded bar with HIPS Sleeve | ⑧ Isolator |
| ③ Hook Plate | ⑨ S/Steel Wall Fixing |
| ④ Self Drill Fastener | ⑩ Nylon Wall Plug |
| ⑤ PPSF02 Carrier Profile | ⑪ Coping Clip Fixing |
| ⑥ NES Bracket | ⑫ Coping |



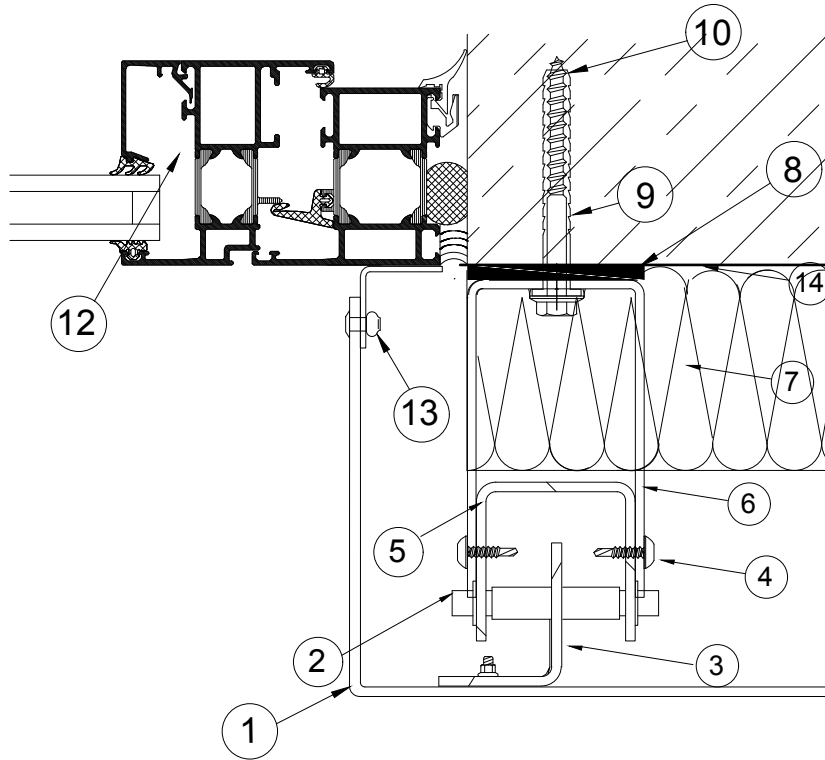
Secret Fix System - PPSF01 - Section views



- | | | |
|------------------------------------|-----------------------|-----------------------|
| ① NES PPSF01 Panel | ⑥ Remote bracket | ⑫ Window Detail |
| ② M6 threaded bar with HIPS Sleeve | ⑦ Insulation | ⑬ L-section Profile |
| ③ Hook on returns | ⑧ Isolator | ⑭ Damp proof membrane |
| ④ Self Drill Fastener | ⑨ S/Steel Wall Fixing | |
| ⑤ PPSF02 U-Channel Carrier Rail | ⑩ Nylon Wall Plug | |



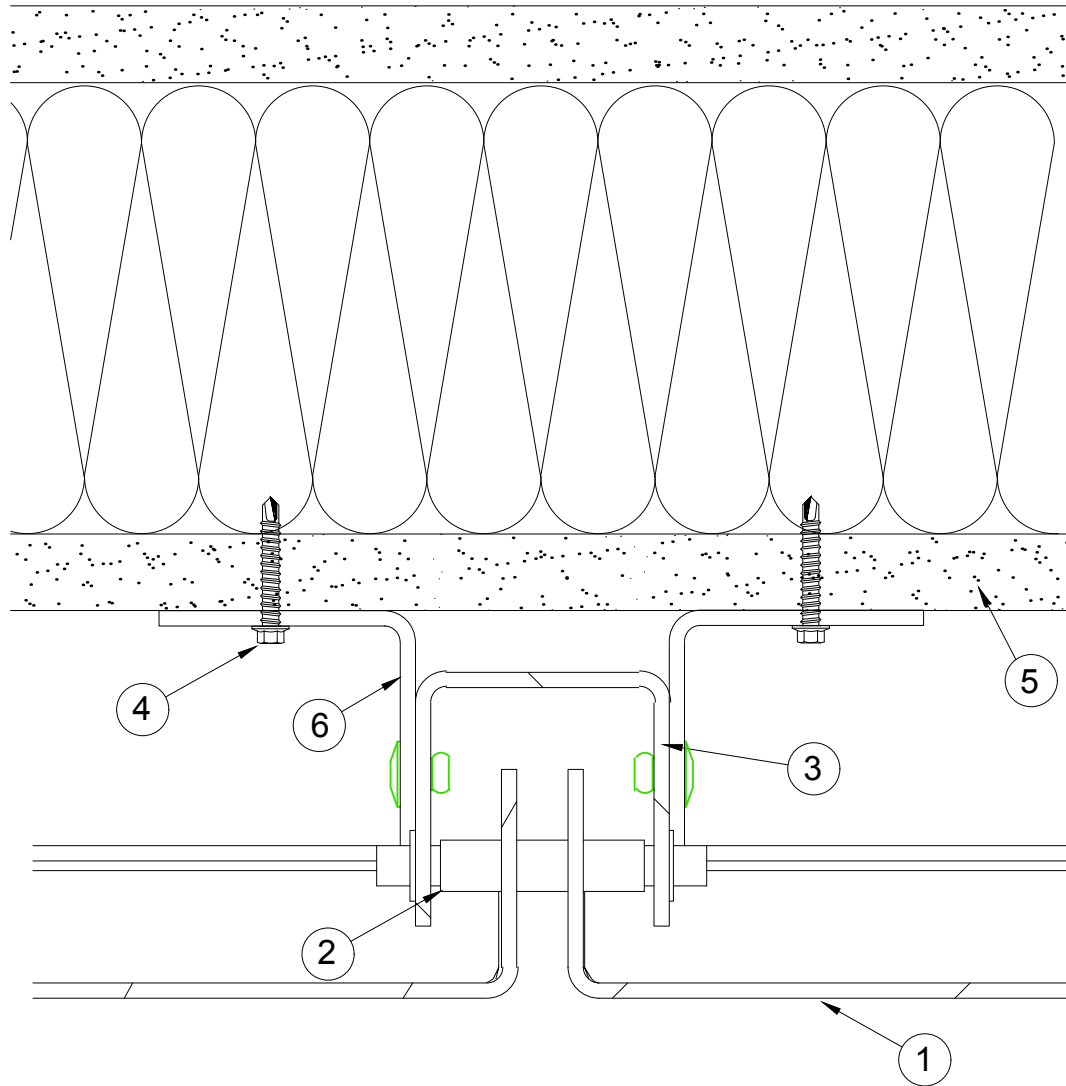
Secret Fix System - PPSF02 - Section views



- | | | |
|------------------------------------|-----------------------|-----------------------|
| ① NES PPSF01 Panel | ⑥ Remote bracket | ⑫ Window Detail |
| ② M6 threaded bar with HIPS Sleeve | ⑦ Insulation | ⑬ L-section Profile |
| ③ Hook on returns (with CD Stud) | ⑧ Isolator | ⑭ Damp proof membrane |
| ④ Self Drill Fastener | ⑨ S/Steel Wall Fixing | |
| ⑤ PPSF02 U-Channel Carrier Rail | ⑩ Nylon Wall Plug | |



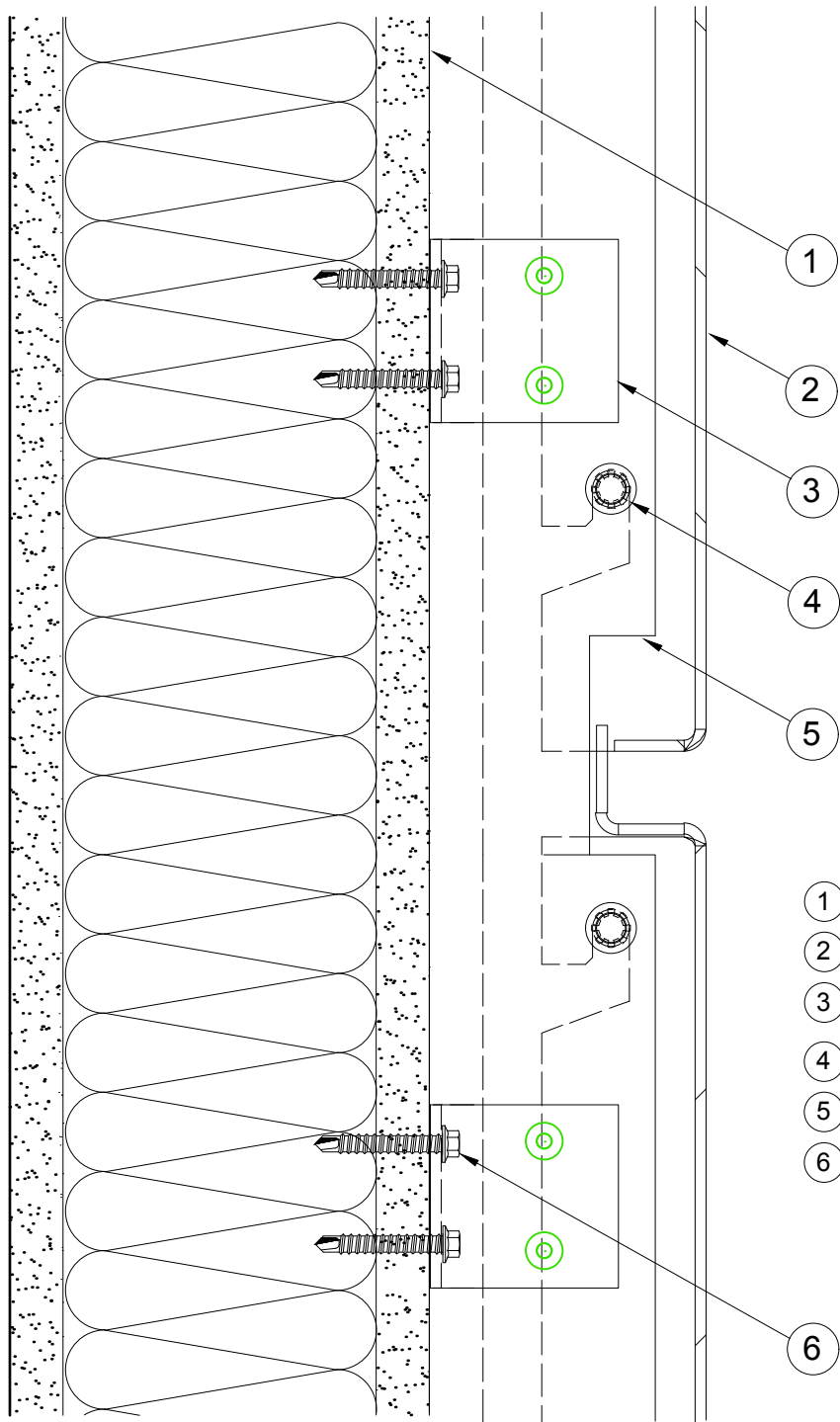
Secret Fix System - PPSF02 - Section views



- ① NES PPSF02 Panel
- ② HIPS Sleeve
- ③ PPSF02 Carrier Rail
- ④ Timber Fixing
- ⑤ SIPs Panel / CP board / Concrete
- ⑥ Remote bracket



Secret Fix System - PPSF02 - Section views



- ① SIPs Panel / CP board / Concrete
- ② NES PPSF02 Panel
- ③ Remote bracket
- ④ M6 threaded bar with HIPS Sleeve
- ⑤ PPSF02 U-Channel Carrier Rail
- ⑥ Fixing

